

PROPRIETARY DATA  
OF MARKETING MASTERS, INC.  
NOT TO BE RELEASED WITHOUT  
EXPRESSED WRITTEN PERMISSION

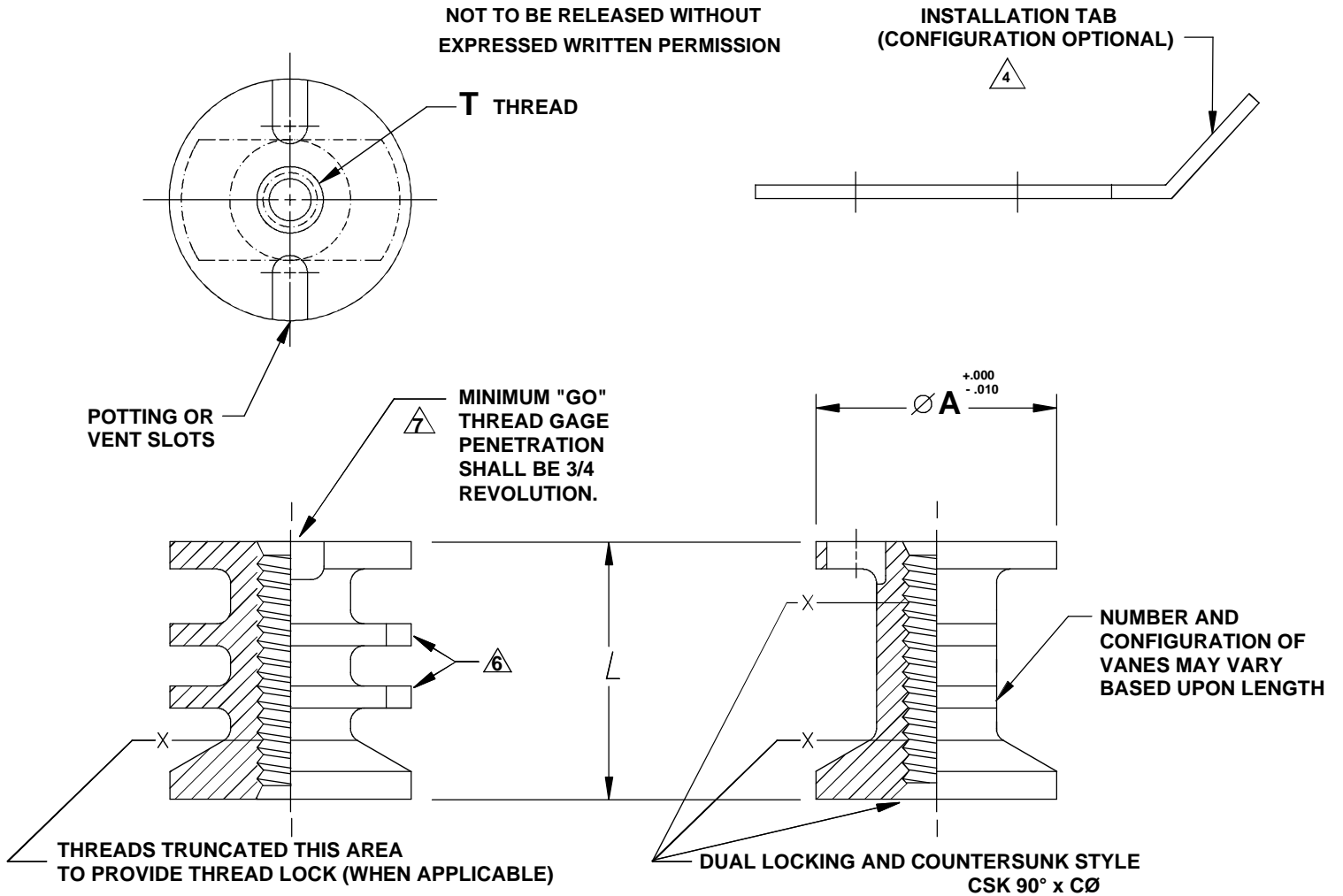


TABLE I

FIRST DASH NO.	T THREAD	Ø A	Ø C	INSTALLATION HOLE SIZE
04	.1120-40UNJC	.560		.561-.566
06	.1380-32UNJC	.560	.162	.561-.566
08	.1640-32UNJC	.560	.210	.561-.566
3	.1900-32UNJF	.560	.250	.561-.566
4	.2500-28UNJF	.685	.312	.686-.691
5	.3125-24UNJF	.685		.686-.691
6	.3750-24UNJF	.841		.842-.847

TABLE II

SECOND DASH NO.	L
-250	.250
-375	.375
-400	.400
-500	.500
-XXX	.XXX

U.S. PATENT NO. 4,812,193 AND 4,902,180

UNLESS OTHERWISE SPECIFIED  
DIMENSIONS ARE IN INCHES

*Marketing Masters*®

MARKETING MASTERS, INC.®  
1871 NW Gilman Blvd., Issaquah, WA 98027  
425.454.5610 Fax 425.454.2932

TOLERANCE ON DECIMALS

.XX = ±.02  
.XXX = ±.010  
ANGLES = 2°

SCALE	NONE
DATE	04/26/96
DRAWN	JPG
REVISED	04/04/2013
APPROVED	<i>Richard F. Gauron</i>

INSERT, POTTED-IN TYPE  
THRU THREADED, SELF-LOCKING  
NON-SELF-LOCKING, COUNTERSUNK

CODE IDENT.  
62063

DWG NO. AEP1033 SHT 1/2 Rev. D

CODE: DASH AFTER BASIC PART NUMBER INDICATES SINGLE SELF-LOCKING FEATURE  
 SUFFIX N AFTER BASIC PART NUMBER INDICATES NONSELF-LOCKING  
 FIRST DASH NUMBER INDICATES THREAD SIZE PER TABLE I  
 SECOND DASH NUMBER INDICATES LENGTH IN THOUSANDTHS PER TABLE II  
 SUFFIX D AFTER FIRST DASH NUMBER INDICATES DUAL SELF-LOCKING FEATURE  
 SUFFIX K AFTER FIRST DASH NUMBER INDICATES COUNTERSUNK FEATURE

EXAMPLE OF PART NUMBERS:

AEP1033-3-400 .1900-32UNJF-3B THREAD, .400 LONG, SINGLE SELF-LOCKING.  
 AEP1033N3K400 .1900-32UNJF-3B THREAD, .400 LONG, NONSELF-LOCKING, COUNTERSUNK.  
 AEP1033-3D400 .1900-32UNJF-3B THREAD, .400 LONG, DUAL SELF-LOCKING.

NOTES, UNLESS OTHERWISE SPECIFIED;

1. MATERIAL: POLYAMIDE-IMIDE (PAI)
2. FINISH: NATURAL COLOR
3. INSTALLATION HOLE SIZE: (SEE TABLE I)
4. AN ADHESIVE BACKED INSTALLATION TAB PT3 WILL BE FURNISHED WITH EACH INSERT.
5. LOCKING TORQUE IN ACCORDANCE WITH NASM25027, SEC. 3.8.2.2
6. PART NUMBER AND PATENT NUMBER MAY BE MARKED IN THESE LOCATIONS.
7. MINIMUM "GO" GAGE PENETRATION SHALL APPLY FOR SELF-LOCKING PARTS.

PROPRIETARY DATA  
 OF MARKETING MASTERS, INC.  
 NOT TO BE RELEASED WITHOUT  
 EXPRESSED WRITTEN PERMISSION

© 2013 Marketing Masters, Inc.  
 All rights reserved worldwide. Printed in USA

U.S. PATENT NO. 4,812,193 AND 4,902,180

UNLESS OTHERWISE SPECIFIED  
 DIMENSIONS ARE IN INCHES



MARKETING MASTERS, INC.®  
 1871 NW Gilman Blvd., Issaquah, WA 98027  
 425.454.5610 Fax 425.454.2932

TOLERANCE ON DECIMALS

.XX = ±.02  
 .XXX = ±.010  
 ANGLES = 2°

SCALE	NONE
DATE	04/26/96
DRAWN	JPG
REVISED	04/04/2013
APPROVED	<i>Richard F. Gauron</i>

INSERT, POTTED-IN TYPE  
 THRU THREADED, SELF-LOCKING  
 NON-SELF-LOCKING, COUNTERSUNK

CODE IDENT.  
 62063

DWG NO. AEP1033 SHT 2/2 Rev. D