

PROPRIETARY DATA
OF MARKETING MASTERS, INC.
NOT TO BE RELEASED WITHOUT
EXPRESSED WRITTEN PERMISSION

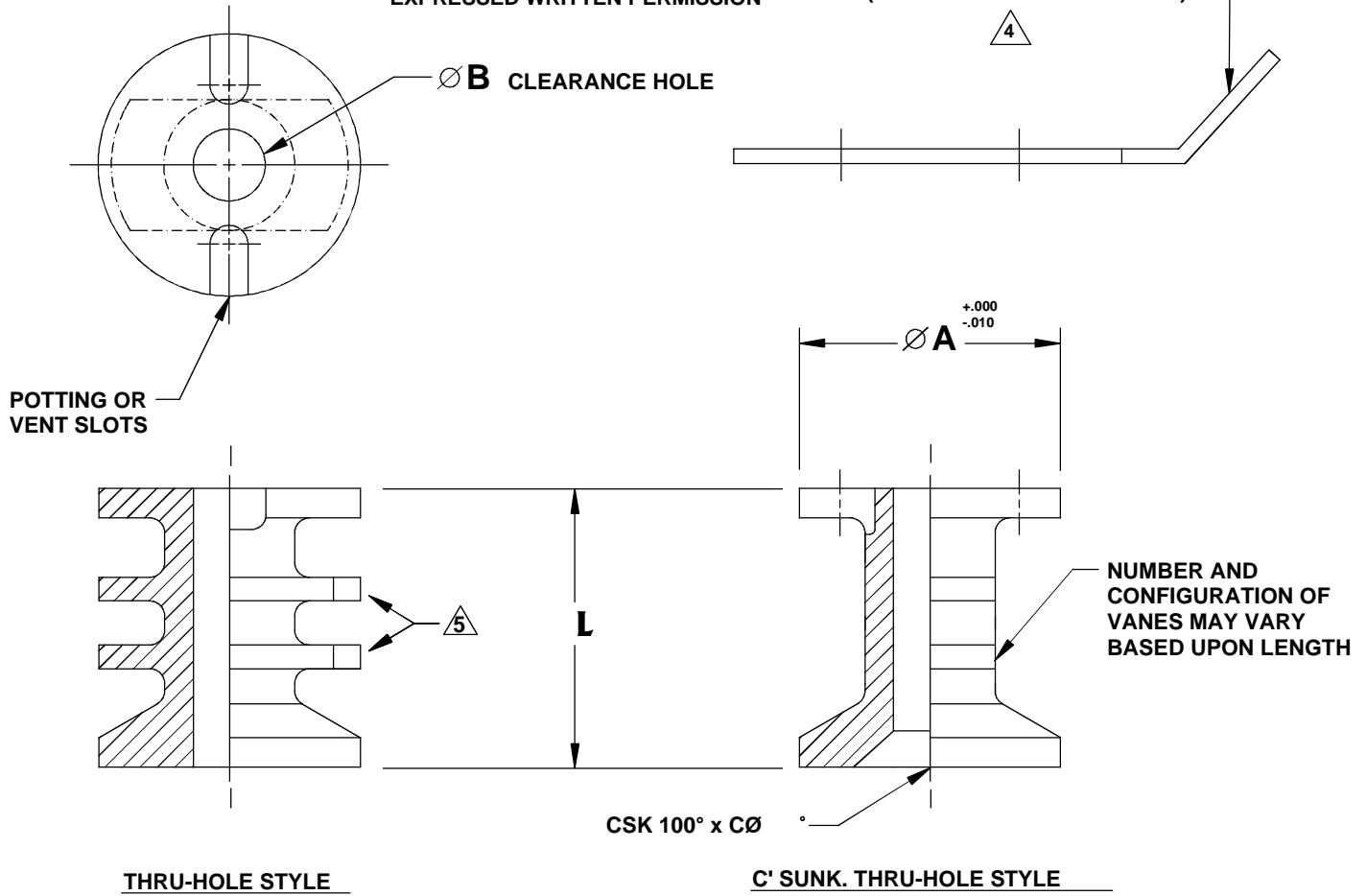


TABLE I

| FIRST DASH NO. | ∅ A | ∅ B | ∅ C | INSTALLATION HOLE SIZE |
|----------------|------|------|------|------------------------|
| 06 | .560 | .140 | .280 | .561-.566 |
| 08 | .560 | .169 | .332 | .561-.566 |
| 3 | .560 | .196 | .385 | .561-.566 |
| 4 | .685 | .257 | .507 | .686-.691 |
| 5 | .685 | .316 | .625 | .686-.691 |
| 6 | .841 | .377 | .750 | .842-.847 |

TABLE II

| SECOND DASH NO. | L |
|-----------------|------|
| -250 | .250 |
| -375 | .375 |
| -400 | .400 |
| -500 | .500 |
| -XXX | .XXX |

U.S. PATENT NO. 4,812,193 AND 4,902,180

UNLESS OTHERWISE SPECIFIED
DIMENSIONS ARE IN INCHES

TOLERANCE ON DECIMALS

.XX = ±.02
.XXX = ±.010
ANGLES = 2°

CODE IDENT.
62063

Marketing Masters

MARKETING MASTERS, INC.®
1871 NW Gilman Blvd., Issaquah, WA 98027
425.454.5610 Fax 425.454.2932

| | |
|---------|------------|
| SCALE | NONE |
| DATE | 04/26/96 |
| DRAWN | JPG |
| REVISED | 04/04/2013 |

INSERT, POTTED-IN TYPE,
CSK AND THRU CLEARANCE HOLE

APPROVED *Richard F. Gawron*

DWG NO. AEP1034 SH 1/2

Rev. E



CODE:

FIRST DASH NUMBER INDICATES THRU CLEARANCE HOLE SIZE PER TABLE I
SECOND DASH NUMBER INDICATES LENGTH IN THOUSANDTHS PER TABLE II
SUFFIX K AFTER FIRST DASH NUMBER INDICATES COUNTERSUNK FEATURE

EXAMPLE OF PART NUMBERS:

AEP1034-3-400 .196 THRU CLEARANCE HOLE, .400 LONG
AEP1034-3K400 .196 THRU CLEARANCE HOLE, COUNTERSUNK, .400 LONG

NOTES, UNLESS OTHERWISE SPECIFIED;

1. MATERIAL: POLYAMIDE-IMIDE (PAI)
2. FINISH: NATURAL COLOR
3. INSTALLATION HOLE SIZE: (SEE TABLE I)
4.  AN ADHESIVE BACKED INSTALLATION TAB PT3 WILL BE FURNISHED WITH EACH INSERT.
5.  PART NUMBER AND PATENT NUMBER MAY BE MARKED IN THESE LOCATIONS.

PROPRIETARY DATA
OF MARKETING MASTERS, INC.
NOT TO BE RELEASED WITHOUT
EXPRESSED WRITTEN PERMISSION

© 2013 Marketing Masters, Inc.
All rights reserved worldwide. Printed in USA

U.S. PATENT NO. 4,812,193 AND 4,902,180

UNLESS OTHERWISE SPECIFIED
DIMENSIONS ARE IN INCHES

TOLERANCE ON DECIMALS

.XX = ±.02
.XXX = ±.010
ANGLES = 2°

CODE IDENT.
62063



MARKETING MASTERS, INC.
1871 NW Gilman Blvd., Issaquah, WA 98027
425.454.5610 Fax 425.454.2932

| | |
|---------|------------|
| SCALE | NONE |
| DATE | 04/26/96 |
| DRAWN | JPG |
| REVISED | 04/04/2013 |

**INSERT, POTTED-IN TYPE,
CSK AND THRU CLEARANCE HOLE**

APPROVED *Richard F. Gawron*

DWG NO. **AEP1034 SHT 2/2**

Rev. **E**